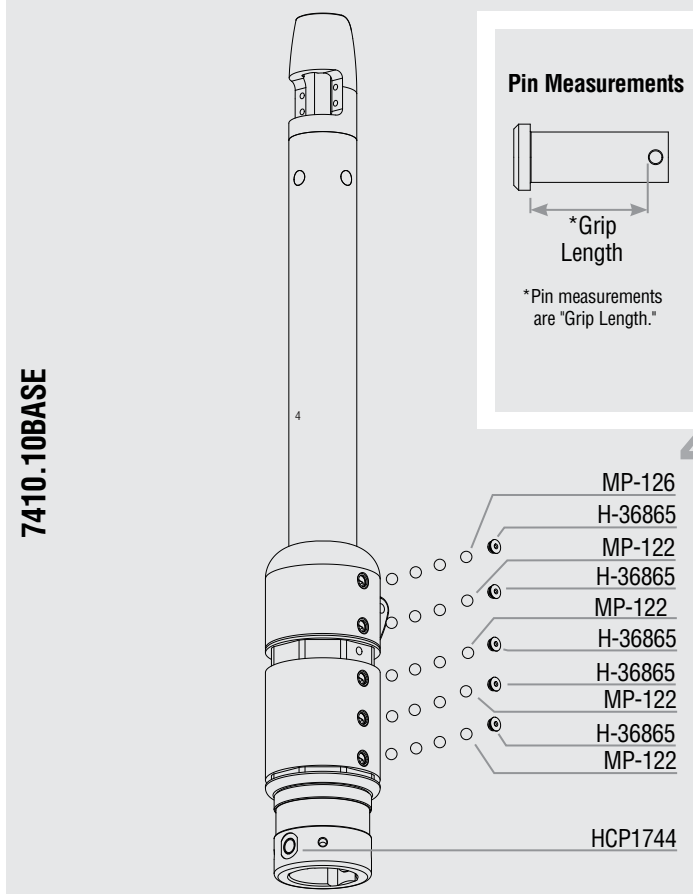
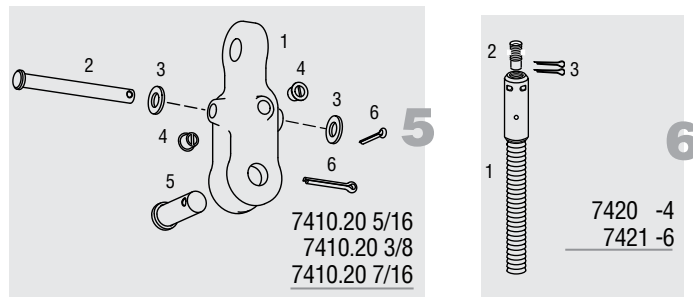


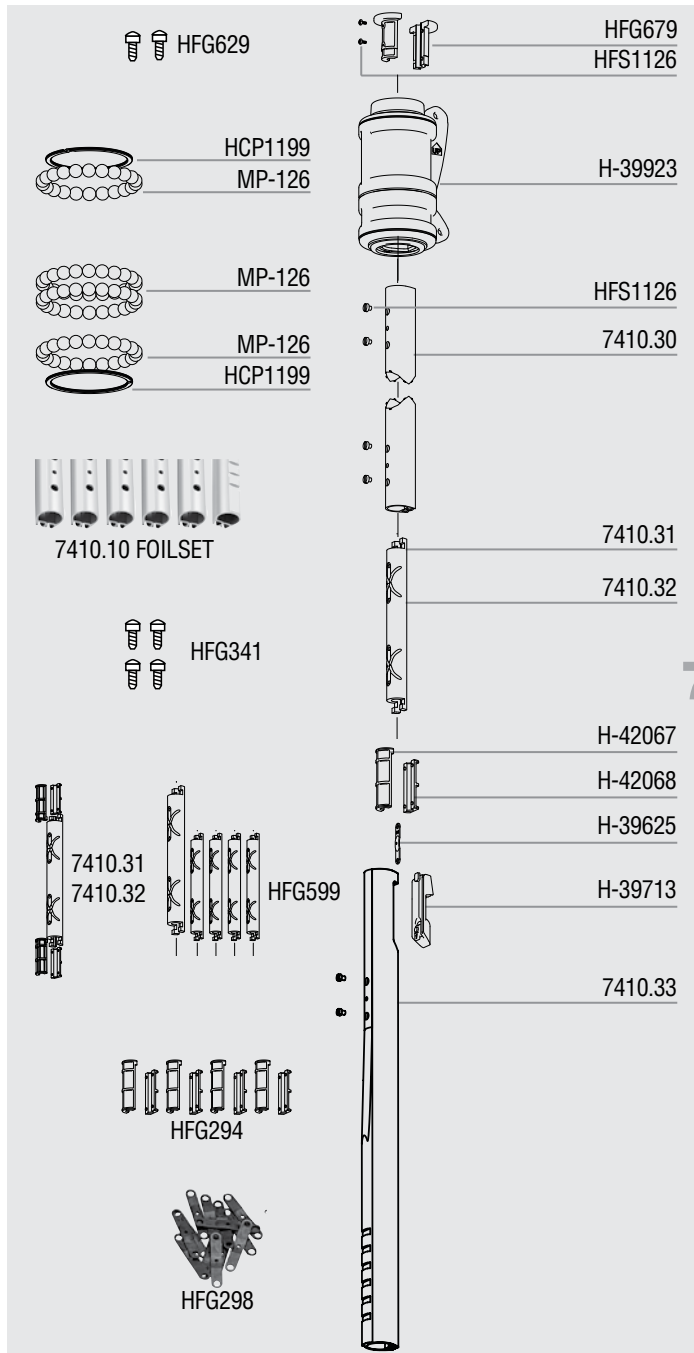
	Description	Order	Part No.
<b>1</b>	<b>Top Cover Assembly w/Screws</b>	<b>1</b>	<b>HFG683</b>
	Top Cover	2	H-38817
	Top Cover Screw	2	HFS980
	<b>Bottom Flange Assembly w/Screws</b>	<b>1</b>	<b>HFG684</b>
	Flange	2	H-38818
	Bottom Flange Screw	2	HFS980
<b>2</b>	<b>Guard Assembly</b>	<b>1</b>	<b>HFG685</b>
	Guard Set	2	H-38293
	Guard Screw	2	HFS1052
<b>3</b>	<b>Clamp with Screws</b>	<b>1</b>	<b>HFG695</b>
	Clamp	1	H-42959
	Clamp Screw	4	HFS1102
	<b>4</b>	<b>Hub Assembly</b>	<b>1</b>
Ball Plugs		5	H-36865
Torlon® Ball Bearing		26	MP-126
Delrin® Ball Bearing		104	MP-122
Igus® Crosspin Bushing		2	HCP1744



No.	Description	Order	Part No.
<b>5</b>	<b>Eye/Jaw Toggle Reversible <math>\frac{5}{16}</math>" (7.9 mm) Pin</b>	<b>1</b>	<b>7410.20 5/16</b>
	1 Toggle	1	H-63528
	2 Crosspin ( $\frac{1}{4}$ " x $2\frac{1}{8}$ ")	1	H-42401
	3 Nylon Washer Set	2	HFS1108
	4 Cross Hole Plug Set	2	H-42050
	5 Clevis Pin ( $\frac{5}{16}$ " x $1\frac{3}{16}$ ")	1	SP-039
6 Cotter Pin ( $\frac{3}{32}$ " x $\frac{3}{4}$ ")	2	HFS181	
	<b>Eye/Jaw Toggle Reversible <math>\frac{3}{8}</math>" (9.5 mm) Pin</b>	<b>1</b>	<b>7410.20 3/8</b>
	1 Toggle	1	H-37687C
	2 Crosspin ( $\frac{1}{4}$ " x $2\frac{1}{8}$ ")	1	H-42401
	3 Nylon Washer Set	2	HFS1108
	4 Cross Hole Plug Set	2	H-42050
	5 Clevis Pin ( $\frac{3}{8}$ " x $\frac{7}{8}$ ")	1	H-42400
6 Cotter Pin ( $\frac{3}{32}$ " x $\frac{3}{4}$ ")	2	HFS181	
	<b>Eye/Jaw Toggle Reversible <math>\frac{7}{16}</math>" (11.1 mm) Pin</b>	<b>1</b>	<b>7410.20 7/16</b>
	1 Toggle	1	H-37686C
	2 Crosspin ( $\frac{1}{4}$ " x $2\frac{1}{8}$ ")	1	H-42401
	3 Nylon Washer Set	2	HFS1108
	4 Cross Hole Plug Set	2	H-42050
	5 Clevis Pin ( $\frac{7}{16}$ " x 1")	1	H-42399
6 Cotter Pin ( $\frac{3}{32}$ " x $\frac{3}{4}$ ")	2	HFS181	



No.	Description	Order	Part No.
<b>6</b>	<b>Rod Adapter Stud (-4) w/Nosepiece</b>	<b>1</b>	<b>7420 -4</b>
	1 Stud (Main Body)	1	H-41707
	2 Nosepiece	1	H-41708
	3 Cotter Pin ( $\frac{3}{32}$ " x $\frac{3}{4}$ ")	2	HFS181
	<b>Rod Adapter Stud (-6) w/Nosepiece</b>	<b>1</b>	<b>7421 -6</b>
	1 Stud (Main Body)	1	H-41705
	2 Nosepiece	1	H-41706
	3 Cotter Pin ( $\frac{3}{32}$ " x $\frac{3}{4}$ ")	2	HFS181



Description	Order	Part No.
<b>7 Trim Cap Set w/o Screws</b>	<b>1</b>	<b>HFG679</b>
<b>Trim Cap Screw Set</b>	<b>1</b>	<b>HFG629</b>
Trim Cap Screw	2	HFS1126
<b>Halyard Swivel w/o Shackles</b>	<b>1</b>	<b>H-39923</b>
Torlon® Ball Bearings	96	HSB17
Clip/Smalley Ring	2	HCP1199
<b>Foil Set</b>	<b>1</b>	<b>7410.10 FOILSET</b>
Foil (7' / 2.13 m Luff)	5	7410.30
Foil (2' / 610 mm) Bottom	1	7410.33
<b>Foil Screw Set</b>	<b>1</b>	<b>HFG341</b>
Foil Screw	26	HFS1105
<b>Connector Set w/o Bushings</b>	<b>1</b>	<b>HFG599</b>
Connector (7" / 178 mm)	4	—
Connector Bottom (10.75" / 273 mm)	1	—
<b>Connector Bushing Set</b>	<b>1</b>	<b>HFG294</b>
Connector Bushing (Curved / Longer)	10	H-42067
Connector Bushing (Flat / Shorter)	10	H-42068
<b>Connector w/Bushings</b>	<b>1</b>	<b>7410.31</b>
Connector (6.5" / 165 mm)	1	—
Connector Bushing (Curved / Longer)	2	—
Connector Bushing (Flat / Shorter)	2	—
<b>Connector w/Bushings Bottom</b>	<b>1</b>	<b>7410.32</b>
Connector Bottom (10" / 254 mm)	1	—
Connector Bushing (Curved / Longer)	2	—
Connector Bushing (Flat / Shorter)	2	—
<b>Connector Wedge Set</b>	<b>1</b>	<b>HFG298</b>
Connector Wedge	12	H-39625
<b>Feeder Set</b>	<b>1</b>	<b>H-39713</b>
Feeder	1	H-37272B
Feeder Screw	1	HFS1128
Tab	1	H-37282A

Description	Order	Part No.
<b>8 Instruction Manual</b>	<b>1</b>	<b>4416</b>
<b>Prefeeder</b>	<b>1</b>	<b>947</b>
<b>Red Loctite®</b>	<b>2</b>	<b>HFG739</b>
<b>5200 Adhesive Set</b>	<b>1</b>	<b>HFG725</b>
5200 Marine Adhesive Sealant	1	HFG722
Injector	1	HFG200 HFG201
<b>7 mm Single Braid Polyester (55' / 16.7 m)</b>	<b>1</b>	<b>HFG594</b>

Description	Order	Part No.
<b>9 Lead Block Kit</b>	<b>1</b>	<b>7404</b>
29 mm Outboard Lead Assembly	3	7403
57 mm Carbo Ratchet Assembly	1	7402
40 mm Carbo Assembly	1	7401
Horn Cleat	1	HCP168
<b>Bow Shackle (6 mm)</b>	<b>3</b>	<b>2110</b>
<b>Halyard Restrainer</b>	<b>1</b>	<b>944</b>
Sheave/SS Inner Race Only	1	944ASSY
Clevis Pin (1/4" x .9" 18-8)	1	HFG467
Bracket-Small	1	HCP393
Cotter Pin (1/16" x 1/2" 18-8)	1	HFS118
<b>Halyard Deflector</b>	<b>1</b>	<b>7301</b>
<b>Hex Keys</b>		
2.5 mm	1	HCP1387
3 mm	1	HCP1089
5 mm	1	HFG642

